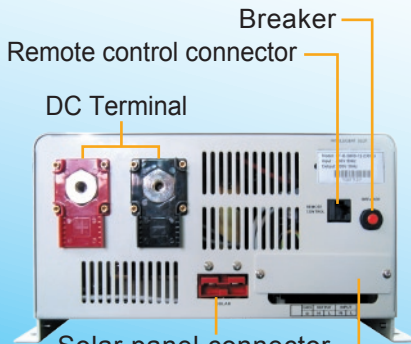




HT-B-S800-12



FAN



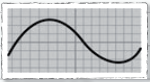
AC volt



GND	OUTPUT	INPUT
	N L	N L

1. Pure sine wave inverter built in battery charger.
2. LCD panel display.
3. AVR design function.
4. By pass function.
5. Support solar panel (solar charger controller) --- option.
6. Green power function --- option.
7. Generator starter function --- option.

SPECIFICATION

Model No.	HT-B-S800-12
Inverter	
DC input volt	12V
Volt range	10.0-16.0VDC
Surge power	1600W
Continuous power	800W
Wave form	Pure Sine Wave 
AC voltage	100V / 120V / 230V
Frequency	50/60Hz±3%
AC Regulation	±5%
No load current draw	4.3A
Bat. low alarm	10.5.0±0.5V
Bat. low shutdown	10±0.5V
Over voltage	16.0±0.5V
Bat .Polarity Reverse	Fuse burn out
Over load	shutdown
By pass function	Yes
Low AC input volt transfer to inverter mode	90Vac+/-3% or 180Vac +/-3%
Low AC input volt recovery to AC mode	80Vac+/-3% or 190Vac +/-3%
High AC input volt transfer to inverter mode	135Vac+/-3% or 270Vac +/-3%
High AC input volt recovery to AC mode	130Vac+/-3% or 260Vac +/-3%
Charger	
Output current	20A max.
AC input volt	60~135Vac or 120~270Vac.
Frequency	50/60Hz
Power factor	0.8
Recommended Battery Type	Lead acid
Recommended Battery Size	100-350AH
PROTECTION	
Over load protection	Yes, alarm twice per second
Low battery volt	Yes, alarm every second
Inverter failed	Yes, alarm continuously
Over temperature	55°C ±5°C
ENVIRONMENT	
Working temp.	-15°C ~ 45°C
Storage temp.	-25°C ~ 70°C
Working humidity	20%~90% RH non-condensing
Storage humidity	-22°F~+158°F, 10~95% RH
Temp. Coefficient	±0.05°C(0~55°C)
OTHERS	
Dimension(LxWxH)	400*298*150mm
Net weight	14.8kgs
Whole package dimension & Weight	515*375*250mm / 16.7kgs
Extra Function	
Solar charger controller (50A) + Green power	Optional (Model no.: HT-B-S800-12SG)
DC prior + Generator starter	—

