

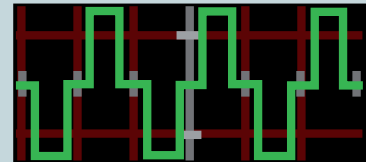


HT-B-M1000

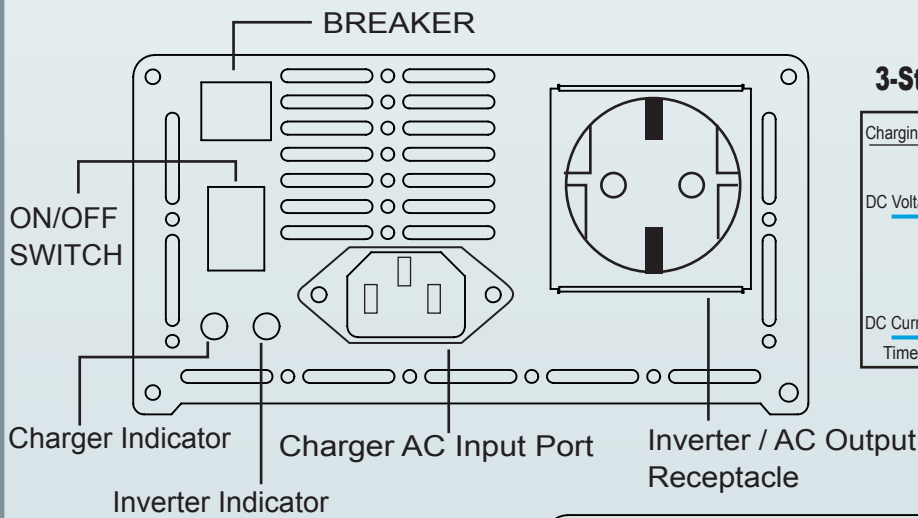


B (bi-power series)--Inverter with Charger: 1000W inverter with 10A charger

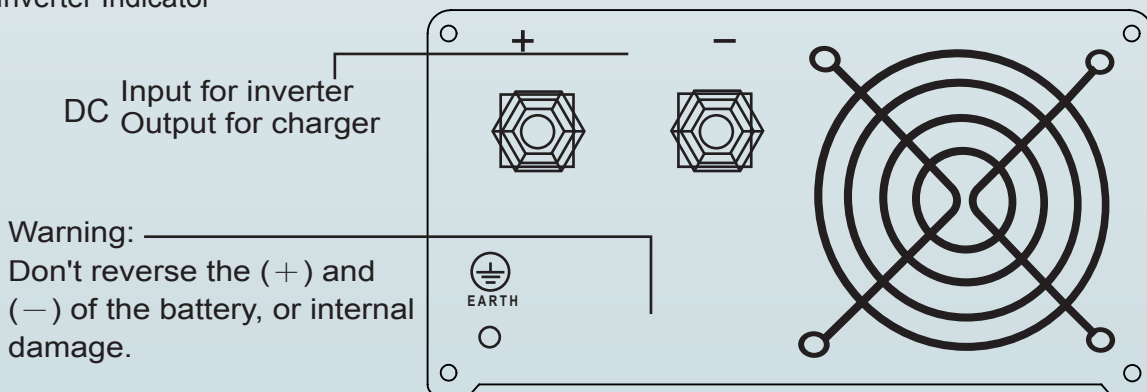
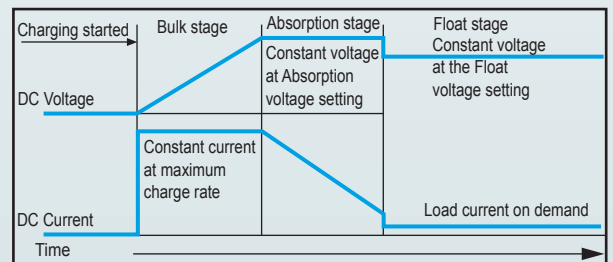
- (1) Modified sine wave inverter 1000W with 3-stage 10A battery charger.
- (2) Switch mode design.
- (3) Compact and dexterous dimension design.
- (4) Complete protection design---overload, overtemp, short circuit, high/low volt ...etc.
- (5) Inverter re-start function.
- (6) 3-stage charger design---bulk, absorption, float.
- (7) Wide volt range operation(90~135V, 180~265V).
- (8) Durable and corrosion resistant construction.
- (9) Transformer isolated for safety.
- (10) By pass function.



Modified Sine Wave Inverter



3-Stage Battery Charger





SPECIFICATION

Model No.:	HT-B-M1000-12
Inverter	
DC input volt:	12V
Volt range:	10-16VDC
Surge power:	2000W
Continuous power:	1000W
Wave form:	Modified Sine Wave
AC voltage:	100V / 120V / 230V
Frequency:	50/60Hz±3%
AC Regulation:	±8%
No load current draw:	0.6A
Bat. low alarm:	10.5±0.5V
Bat.low shutdown:	10±0.5V
Over voltage:	16±0.5V
Bat .Polarity Reverse:	Fuse burn out
Over load:	Re-start 2 times, shutdown if failed
By pass function:	Yes
Charger	
Output current:	10A
AC input volt:	120V(90-135V) / 230V(180-265V)
Charging type:	3-stage
Bulk stage:	14.5±0.5V, 10A
Absorption stage:	14.5±0.5V, 10A-1A
Float stage:	13.6±0.5V, min. 0.5A
Frequency:	45-65Hz
Power factor:	Yes
Recommended Battery Type:	Lead acid
Recommended Battery Size:	40-160AH
PROTECTION	
Over load protection:	Yes
Over temp protection:	Yes
Inverter output reverse protection:	Fuse blow
Charger output reverse protection:	Fuse blow
Inverter short circuit protection:	Shut-off
Over temperature:	55°C ±5°C
ENVIRONMENT	
Working temp.:	-15°C ~45°C
Storage temp.:	-25°C ~70°C
Working humidity:	20%~90% RH non-condensing
Storage humidity:	-22°F~+158°F, 10~95% RH
Temp. Coefficient:	±0.05%°C(0~55°C)
OTHERS	
Dimension(LxWxH):	395x179x82.5mm
Net weight:	4.0kgs



socket type :

