

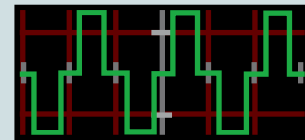


HT-B-M1000

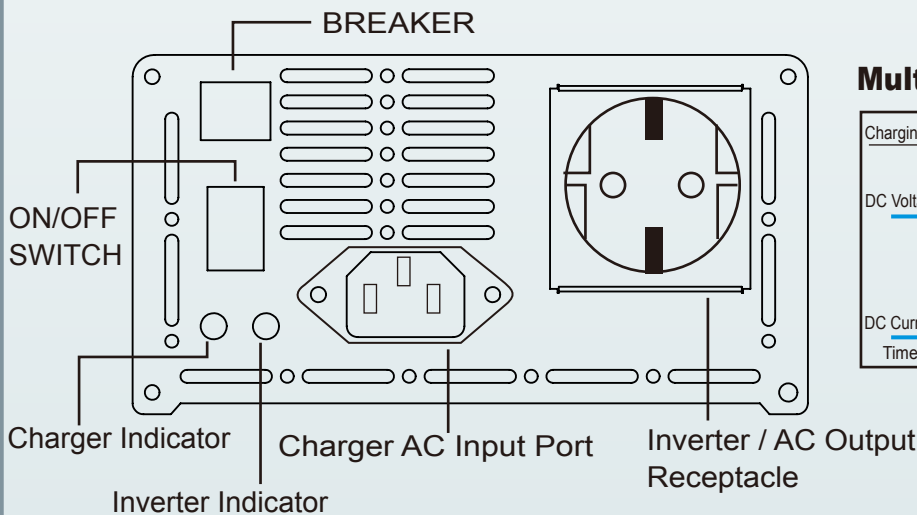


### B (bi-power series)--Inverter with Charger: 1000W inverter with 10A charger

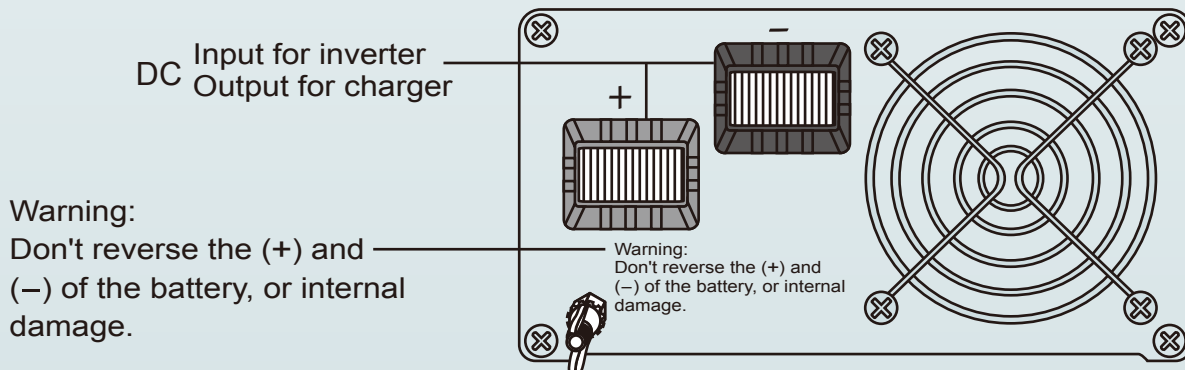
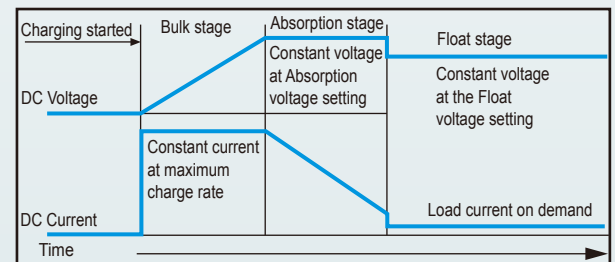
- (1) Modified sine wave inverter 1000W with multistage 10A battery charger.
- (2) Switch mode design.
- (3) Compact and dexterous dimension design.
- (4) Complete protection design---overload, overtemp, short circuit, high/low volt ...etc.
- (5) Inverter re-start function.
- (6) 3-stage charger design---bulk, absorption, float.
- (7) Wide volt range operation(90~135V, 180~265V).
- (8) Durable and corrosion resistant construction.
- (9) Transformer isolated for safety.
- (10) Bypass function.



Modified Sine Wave Inverter



### Multistage Battery Charger





## SPECIFICATION

Model No.:	HT-B-M1000-12	
<b>Inverter</b>		
DC input volt:	12V	
Volt range:	10-16VDC	
Surge power:	2000W	
Continuous power:	1000W	
Wave form:	Modified Sine Wave	
AC voltage:	100V / 120V / 230V	
Frequency:	50/60Hz±3%	
AC Regulation:	±8%(100V:±10%)	
No load current draw:	0.6A	
Bat. low alarm:	10.5±0.5V	
Bat. low shutdown:	10±0.5V	
Over voltage:	16±0.5V	
Bat .Polarity Reverse:	Fuse burn out	
Over load:	Re-start 1 time, shutdown if failed	
Bypass function:	Yes	
Low AC input volt transfer to inverter mode.:	90Vac+/-5% or 180Vac+/-5%	
Low AC input volt recovery to AC mode.:	95Vac+/-5% or 190Vac+/-5%	
Connector	Input AC Plug:	Yes
	Output Receptacles:	Yes
<b>Charger</b>		
Output current:	10A	
AC input volt:	120V(90-135V) / 230V(180-265V)	
Charging type:	multistage	
Bulk stage:	14.5±0.5V, 10A	
Absorption stage:	14.5±0.5V, 10A-1A	
Float stage:	13.6±0.5V, min. 0.5A	
Frequency:	45-65Hz	
Recommended Battery Type:	Lead acid	
Recommended Battery Size:	40-160AH	
<b>PROTECTION</b>		
Over load protection:	Yes	
Over temp protection:	Yes	
Inverter input reverse protection:	Fuse blow	
Charger output reverse protection:	Fuse blow	
Inverter output short circuit protection:	Shut-off	
Over temperature:	55°C ±5°C	
<b>ENVIRONMENT</b>		
Working temp.:	-15°C ~45°C	
Storage temp.:	-25°C ~70°C	
Working humidity:	20%~90% RH non-condensing	
Storage humidity:	-30°C ~70°C, 10~95% RH	
Temp. Coefficient:	±0.05%/°C(0~55°C)	
<b>OTHERS</b>		
Dimension(LxWxH):	405x179x82.5mm	
Net weight:	4.0kgs	



socket type :

